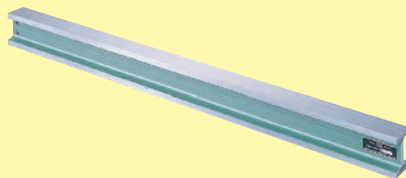
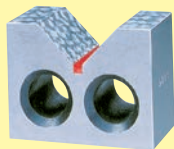
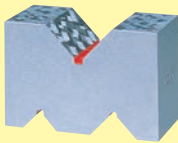
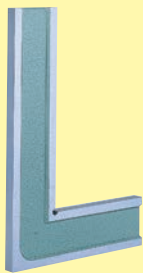




NIIGATA RIKEN SOKUHAN CO.,LTD.

GENERAL CATALOG



Precision Level P1~P10

Square P11~P16

Straight Edge P17~P21

V Block P22~P23

Dial Comparetor P24~P25

Bench Center P26~P30

Applied Equipment P31

Protractor P32

INDEX

Precision Level

| | | | |
|-------|---|------------|---------|
| 541AA | Precision Square Level | Grade AA |1 |
| 541A | // | Grade A | |
| 541B | // | Grade B | |
| 541 | // | Basic Type | |
| 542AA | Precision Flat Level | Grade AA |3 |
| 542A | // | Grade A | |
| 542B | // | Grade B | |
| 542 | // | Basic Type | |
| 583 | Magnetic Square Type Precision Level | |6 |
| 583LM | Magnetic Square Type Precision Level for LM Guide | | ...7 |
| 584 | Mini Level | |8 |
| 740 | Precision High Level | | |
| 600 | Cross-Test Precision Level (T-Type) | | |
| 252 | Portable Level | |9 |
| 501 | Measuring Level Center | | |
| 572 | Pocket Level | | |
| 574 | Square Type Cross Test Level | |10 |
| 575 | Cross Test Level | | |
| 576 | Round Level | | |
| 573 | Small Bench Level | | |

Square

| | | | |
|---------|-----------------------------|--|---------|
| 546-1,2 | Precision Square With Base | |11 |
| 547-1,2 | Flat-Type Square | |12 |
| 548-1,2 | I -Type Precision Square | |13 |
| 549 | Precision Thick Type Square | |14 |
| 550 | Knife Edged Standard Square | | |
| 550-III | Knife Edged Standard Square | |15 |
| 551 | Cylindrical Square | | |

Straight Edge

| | | | |
|--------|--------------------------------|--|---------|
| 553 | I Beam Type Straight Edge | |17 |
| 554A,B | Wide-Type Straight Edge | |18 |
| 594 | Precision Straight Edge I Type | |19 |
| 595 | Precision Straight Edge | | |
| 555B | Steel Straight Edge Bevel Type | |20 |
| 555S | Steel Straight Edge | | |
| 556 | Standard Steel Straight Edge | |21 |
| 552 | Knife -Type Straight Edge | | |

V Block

| | | | |
|--------|--------------------------|--|---------|
| 557A,B | Cast Iron V Block | |22 |
| 558 | Precision Steel V Block | | |
| 559A,B | Box V Block With Clamp | |23 |
| 586 | Steel V Block With Clamp | | |

Dial Comparator

| | | | |
|------|-----------------|--------|---------|
| 561A | Dial Comparator | PH3 |24 |
| 561B | // | PH2 | |
| 561C | // | 561-U | |
| 561D | // | 561-US | |
| 610A | Dial Stand | RS-1 |25 |
| 610B | | RS-2 | |
| 610C | | RS-3 | |

Bench Center

| | | | |
|------|---|--|---------|
| 562 | Bench Center | |26 |
| 563 | Bench Center (P-Type) | |27 |
| 591 | RV-Type Bench Center with V Block Carbide | | ...28 |
| 562S | Slide Guide Type Bench Center | | |
| 592 | Bench Center (VBType) | |29 |
| 600 | Test Bar | | |
| 601 | Center | |30 |
| 602 | Reversed Form Center | | |
| | Custom-Made Center | | |

Applied Equipment

| | | | |
|-----|-------------------------------|--|---------|
| 581 | Steel Beam Trammel Graduation | |31 |
| 560 | Scal Holde | | |

Protector

| | | | |
|-----|---------------------------|--|---------|
| 495 | Universal Bevel Protector | |32 |
| 589 | Combination Set | | |
| 565 | Micrometer Stand | | |

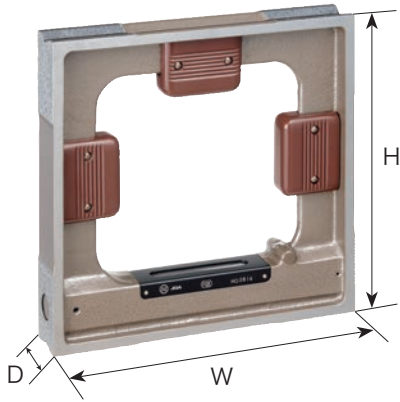
Traceability traceability certificate can be issued.

Precision Square Level

| To measure... | | | |
|---------------|--------------|------------|-------------|
| Flatness | Straightness | Squareness | Parallelism |
| ○ | ○ | ◎ | ○ |

Stock No.541AA (JIS Standard)

Grade AA (JIS) Traceability



Stock No.541A (JIS Standard)

Grade A (JIS) Traceability



Stock No.541B (JIS Standard)

Grade B (JIS) Traceability

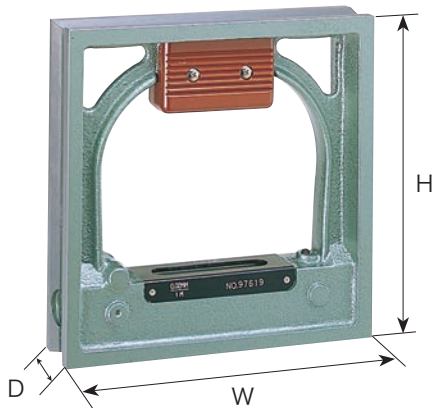


| SIZE | W × H × D (mm) | Sensitivity (mm/m) | Net Weight (kg) |
|------|----------------|--|-----------------|
| 150 | 150 × 150 × 40 | 0.02 (4") 0.05 (10") 0.1 (20") | 2.1 |
| 200 | 200 × 200 × 42 | | 3.8 |
| 250 | 250 × 250 × 50 | | 5.8 |
| 300 | 300 × 300 × 50 | | 7.5 |

- Grade AA, A and B are manufactured and inspected under the JIS B 7510 standard. (See P5. for further information on each grade.)
- Grade AA has ±0.2 scale all range accuracy in the main bubble.
- These three types have less than 3µm accuracy in flatness between base and side. (0.02mm/m type)
- Squareness between base and both side is 0.015mm/m. (0.02mm/m for Grade A)
- Grade AA and Grade A have a bubble chamber in which the length of the bubble is manually adjustable.

Stock No.541

Standard Type (NOT JIS standard) Traceability



| SIZE | W × H × D (mm) | Sensitivity (mm/m) | Net Weight (kg) |
|------|----------------|--|-----------------|
| 100 | 100 × 100 × 38 | 0.02 (4") 0.05 (10") 0.1 (20") | 1.0 |
| 150 | 150 × 150 × 42 | | 2.1 |
| 200 | 200 × 200 × 42 | | 3.8 |
| 250 | 250 × 250 × 45 | | 5.8 |
| 300 | 300 × 300 × 45 | | 7.5 |

■ About Sensitivity

Sensitivity (mm/m) represents either height or angle of gradient which is required to move main bubble a scale.

For example, you will know there is 0.02mm height difference 1m away from where you measure, when the main bubble moves a scale.

■ NOTE

- 0.02mm/m is 4 seconds = 0.0011°
- 0.05mm/m is 10 seconds = 0.00277°
- 0.1mm/m is 20 seconds = 0.0055°

Code Number of Precision Square Level

| | Code Number | Size | Sensitivity | Net Weight (kg) |
|---------------|-------------|------|-------------|-----------------|
| Grade AA | 541-1502AA | 150 | 0.02 | 2.1 |
| | 541-2002AA | 200 | | 3.8 |
| | 541-2502AA | 250 | | 5.8 |
| | 541-3002AA | 300 | | 7.5 |
| | 541-1505AA | 150 | 0.05 | 2.1 |
| | 541-2005AA | 200 | | 3.8 |
| | 541-2505AA | 250 | | 5.8 |
| | 541-3005AA | 300 | | 7.5 |
| | 541-1501AA | 150 | 0.1 | 2.1 |
| | 541-2001AA | 200 | | 3.8 |
| | 541-2501AA | 250 | | 5.8 |
| | 541-3001AA | 300 | | 7.5 |
| Grade A | 541-1502A | 150 | 0.02 | 2.1 |
| | 541-2002A | 200 | | 3.8 |
| | 541-2502A | 250 | | 5.8 |
| | 541-3002A | 300 | | 7.5 |
| | 541-1505A | 150 | 0.05 | 2.1 |
| | 541-2005A | 200 | | 3.8 |
| | 541-2505A | 250 | | 5.8 |
| | 541-3005A | 300 | | 7.5 |
| | 541-1501A | 150 | 0.1 | 2.1 |
| | 541-2001A | 200 | | 3.8 |
| | 541-2501A | 250 | | 5.8 |
| | 541-3001A | 300 | | 7.5 |
| Grade B | 541-1502B | 150 | 0.02 | 2.1 |
| | 541-2002B | 200 | | 3.8 |
| | 541-2502B | 250 | | 5.8 |
| | 541-3002B | 300 | | 7.5 |
| | 541-1505B | 150 | 0.05 | 2.1 |
| | 541-2005B | 200 | | 3.8 |
| | 541-2505B | 250 | | 5.8 |
| | 541-3005B | 300 | | 7.5 |
| | 541-1501B | 150 | 0.1 | 2.1 |
| | 541-2001B | 200 | | 3.8 |
| | 541-2501B | 250 | | 5.8 |
| | 541-3001B | 300 | | 7.5 |
| Standard Type | 541-1002 | 100 | 0.02 | 1.0 |
| | 541-1502 | 150 | | 2.1 |
| | 541-2002 | 200 | | 3.8 |
| | 541-2502 | 250 | | 5.8 |
| | 541-3002 | 300 | | 7.5 |
| | 541-1005 | 100 | 0.05 | 1.0 |
| | 541-1505 | 150 | | 2.1 |
| | 541-2005 | 200 | | 3.8 |
| | 541-2505 | 250 | | 5.8 |
| | 541-3005 | 300 | | 7.5 |
| | 541-1001 | 100 | 0.1 | 1.0 |
| | 541-1501 | 150 | | 2.1 |
| | 541-2001 | 200 | | 3.8 |
| | 541-2501 | 250 | | 5.8 |
| 541-3001 | 300 | 7.5 | | |



PRECISION LEVEL

Precision Flat Level

| To measure... | | | |
|---------------|--------------|------------|-------------|
| Flatness | Straightness | Squareness | Parallelism |
| ⊙ | ○ | × | ○ |

Stock No.542AA
Grade AA (JIS) Traceability



Stock No.542A
Grade A (JIS) Traceability



Stock No.542 B
Grade B (JIS) Traceability



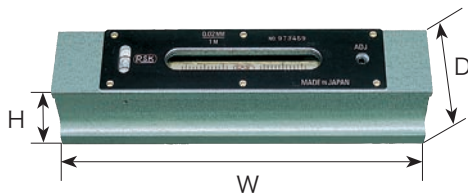
Work Measurement: Grade AA and Grade A

| SIZE | W × H × D (mm) | Sensitivity (mm/m) | Net Weight (kg) |
|------|----------------|--|-----------------|
| 150 | 150 × 45 × 49 | 0.02 (4") 0.05 (10") 0.1 (20") | 1.3 |
| 200 | 200 × 48 × 49 | | 1.7 |
| 250 | 250 × 48 × 49 | | 2.3 |
| 300 | 300 × 48 × 49 | | 2.8 |

Work Measurement: Grade B

| SIZE | W × H × D (mm) | Sensitivity (mm/m) | Net Weight (kg) |
|------|----------------|--|-----------------|
| 150 | 150 × 48 × 47 | 0.02 (4") 0.05 (10") 0.1 (20") | 1.3 |
| 200 | 200 × 48 × 47 | | 1.7 |
| 250 | 250 × 48 × 47 | | 2.3 |
| 300 | 300 × 48 × 47 | | 2.8 |

Stock No.542
Standard Type (NOT JIS standard) Traceability



Work Measurement: Standard type

| SIZE | W × H × D (mm) | Sensitivity (mm/m) | Net Weight (kg) |
|------|----------------|--|-----------------|
| 100 | 100 × 48 × 47 | 0.02 (4") 0.05 (10") 0.1 (20") | 0.8 |
| 150 | 150 × 48 × 47 | | 1.3 |
| 200 | 200 × 48 × 47 | | 1.7 |
| 250 | 250 × 48 × 47 | | 2.3 |
| 300 | 300 × 48 × 47 | | 2.8 |
| 450 | 450 × 52 × 50 | | 4.5 |
| 600 | 600 × 52 × 50 | | 6.0 |

- Grade AA, A and B are manufactured and inspected under the JIS B 7510 standard.
(See P5. for further information on each grade.)
- Grade AA has ±0.2 scale all range accuracy in the main bubble
- Grade AA and Grade A have an insulating material which prevents heat transferring.
- Grade AA and Grade A have a bubble chamber in which the length of the bubble is manually adjustable.



PRECISION LEVEL

| | Code Number | Size | Sensitivity | Net Weight (kg) |
|---------------|-------------|------|-------------|-----------------|
| Grade AA | 542-1502AA | 150 | 0.02 | 1.3 |
| | 542-2002AA | 200 | | 1.7 |
| | 542-2502AA | 250 | | 2.3 |
| | 542-3002AA | 300 | | 2.8 |
| | 542-1505AA | 150 | 0.05 | 1.3 |
| | 542-2005AA | 200 | | 1.7 |
| | 542-2505AA | 250 | | 2.3 |
| | 542-3005AA | 300 | | 2.8 |
| | 542-1501AA | 150 | 0.1 | 1.3 |
| | 542-2001AA | 200 | | 1.7 |
| | 542-2501AA | 250 | | 2.3 |
| | 542-3001AA | 300 | | 2.8 |
| Grade B | 542-1502A | 150 | 0.02 | 1.3 |
| | 542-2002A | 200 | | 1.7 |
| | 542-2502A | 250 | | 2.3 |
| | 542-3002A | 300 | | 2.8 |
| | 542-1505A | 150 | 0.05 | 1.3 |
| | 542-2005A | 200 | | 1.7 |
| | 542-2505A | 250 | | 2.3 |
| | 542-3005A | 300 | | 2.8 |
| | 542-1501A | 150 | 0.1 | 1.3 |
| | 542-2001A | 200 | | 1.7 |
| | 542-2501A | 250 | | 2.3 |
| | 542-3001A | 300 | | 2.8 |
| Grade A | 542-1502B | 150 | 0.02 | 1.3 |
| | 542-2002B | 200 | | 1.7 |
| | 542-2502B | 250 | | 2.3 |
| | 542-3002B | 300 | | 2.8 |
| | 542-1505B | 150 | 0.05 | 1.3 |
| | 542-2005B | 200 | | 1.7 |
| | 542-2505B | 250 | | 2.3 |
| | 542-3005B | 300 | | 2.8 |
| | 542-1501B | 150 | 0.1 | 1.3 |
| | 542-2001B | 200 | | 1.7 |
| | 542-2501B | 250 | | 2.3 |
| | 542-3001B | 300 | | 2.8 |
| Standard Type | 542-1002 | 100 | 0.02 | 0.8 |
| | 542-1502 | 150 | | 1.3 |
| | 542-2002 | 200 | | 1.7 |
| | 542-2502 | 250 | | 2.3 |
| | 542-3002 | 300 | | 2.8 |
| | 542-4502 | 450 | | 4.5 |
| | 542-6002 | 600 | 6.0 | |
| | 542-1005 | 100 | 0.05 | 0.8 |
| | 542-1505 | 150 | | 1.3 |
| | 542-2005 | 200 | | 1.7 |
| | 542-2505 | 250 | | 2.3 |
| | 542-3005 | 300 | | 2.8 |
| | 542-4505 | 450 | | 4.5 |
| | 542-6005 | 600 | 6.0 | |
| | 542-1001 | 100 | 0.1 | 0.8 |
| | 542-1501 | 150 | | 1.3 |
| | 542-2001 | 200 | | 1.7 |
| | 542-2501 | 250 | | 2.3 |
| 542-3001 | 300 | 2.8 | | |
| 542-4501 | 450 | 4.5 | | |
| 542-6001 | 600 | 6.0 | | |



PRECISION LEVEL

Code Number of Precision Square Level

About Grade

Under the JIS standard, guarantee level is different from each grades.

※ Grade AA is our original standard. It adopts more strict inspections than JIS standard.

Precision Square Level

| Item | | Grade AA | | | Grade A (JIS B 7510) | | | Grade B (JIS B 7510) | | |
|---|----------------|--------------------|-------------------|---------|------------------------|--------------------|---------|------------------------|--------------------|---------|
| | | Class 1 | Class 2 | Class 3 | Class 1 | Class 2 | Class 3 | Class 1 | Class 2 | Class 3 |
| Allowable error of main bubble | All Range | ±0.2 Scale or less | | | ±0.5 Scale or less | ±0.3 Scale or less | | ±0.7 Scale or less | ±0.5 Scale or less | |
| | Adjacent Scale | 0.2 Scale or less | | | 0.2 Scale or less | | | 0.5 Scale or less | | |
| Squareness bottom to side surface | | 0.015mm/m or less | 0.025mm/m or less | | 0.015mm/m or less | 0.025mm/m or less | | 0.02mm/m or less | 0.035mm/m or less | |
| Parallelism v groove to surface with v groove | | 0.5 Scale or less | | | 0.5 Scale or less | | | 0.5 Scale or less | | |
| Parallelism bottom to top side | | 0.5 Scale or less | | | 0.5 Scale or less | | | 0.5 Scale or less | | |
| Flatness bottom to side surface | | 0.003mm or less | 0.005mm or less | | 0.003mm or less | 0.005mm or less | | 0.003mm or less | 0.005mm or less | |

Precision Flat Level

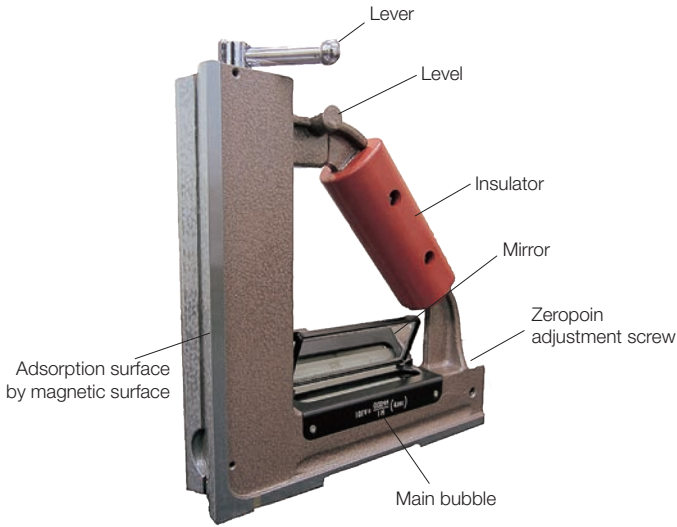
| Item | | Grade AA | | | Grade A (JIS B 7510) | | | Grade B (JIS B 7510) | | |
|---|----------------|--------------------|-----------------|---------|------------------------|--------------------|---------|------------------------|--------------------|---------|
| | | Class 1 | Class 2 | Class 3 | Class 1 | Class 2 | Class 3 | Class 1 | Class 2 | Class 3 |
| Allowable error of main bubble | All Range | ±0.2 Scale or less | | | ±0.5 Scale or less | ±0.3 Scale or less | | ±0.7 Scale or less | ±0.5 Scale or less | |
| | Adjacent Scale | 0.2 Scale or less | | | 0.2 Scale or less | | | 0.5 Scale or less | | |
| Parallelism v groove to surface with v groove | | 0.5 Scale or less | | | 0.5 Scale or less | | | 0.5 Scale or less | | |
| Flatness bottom surface | | 0.003mm or less | 0.005mm or less | | 0.003mm or less | 0.005mm or less | | 0.003mm or less | 0.005mm or less | |

Magnetic Square Type Precision Level

Stock No. 583

“Grade A” class Traceability

| To measure... | | | |
|---------------|--------------|------------|-------------|
| Flatness | Straightness | Squareness | Parallelism |
| ○ | ○ | ◎ | ○ |

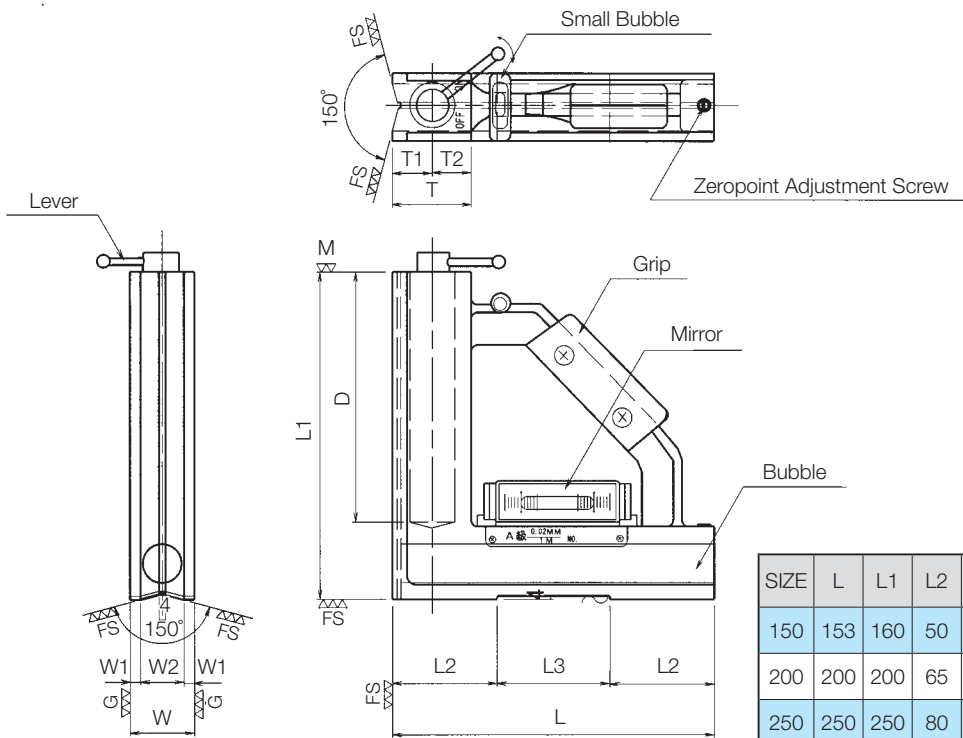


- Side surface is magnetic. It is designed for measuring cylindrical configuration specially.
- This is also useful for operations in high-place as it can be held by its magnetic surface.
- The mirror allows you to read the number on the main bubble.
- Main bubble is as accurate as Grade A (JIS)

| Code # | Size | Sensitivity mm/m | Mirror | Net Weight (kg) | |
|----------|------|------------------|---------|-----------------|-----|
| 583-1502 | 150 | 0.02 | Without | 2.2 | |
| 583-1505 | | 0.05 | | | |
| 583-1501 | | 0.1 | | | |
| 583-2002 | 200 | 0.02 | With | 3.2 | |
| 583-2005 | | 0.05 | | | |
| 583-2001 | | 0.1 | | | |
| 583-2502 | 250 | 0.02 | | | 4.9 |
| 583-2505 | | 0.05 | | | |
| 583-2501 | | 0.1 | | | |

※ Size 150mm is not have a mirror

Work Measurement



| SIZE | L | L1 | L2 | L3 | W | W1 | W2 | D | T | T1 | T2 |
|------|-----|-----|----|----|----|-----|----|-----|----|----|----|
| 150 | 153 | 160 | 50 | 60 | 35 | 6.5 | 22 | 112 | 42 | 18 | 24 |
| 200 | 200 | 200 | 65 | 70 | 40 | 6.5 | 27 | 152 | 45 | 21 | 24 |
| 250 | 250 | 250 | 80 | 90 | 41 | 6.5 | 28 | 201 | 47 | 22 | 25 |



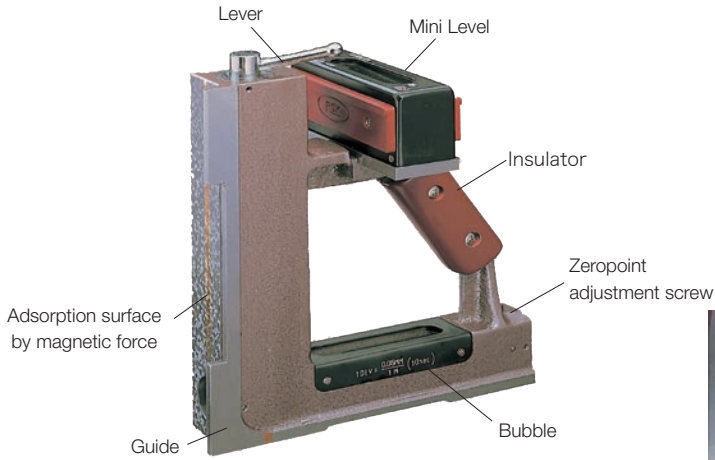
PRECISION LEVEL

Magnetic Square Type Precision For LM Guide

Stock No. 583-LM

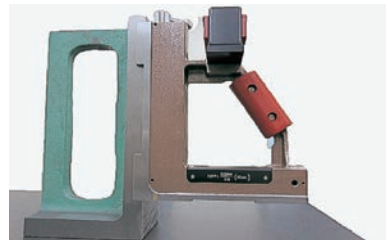
“Grade A” class Traceability

| To measure... | | | |
|---------------|--------------|------------|-------------|
| Flatness | Straightness | Squareness | Parallelism |
| ○ | ○ | ◎ | ○ |

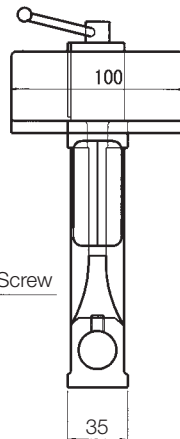
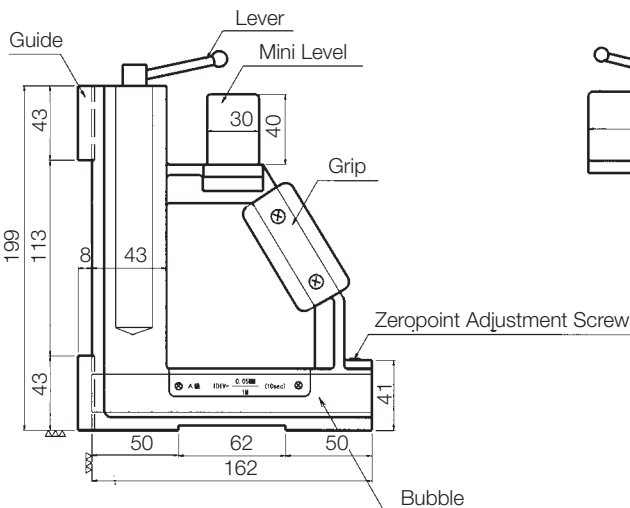
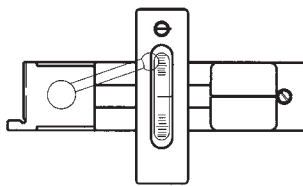


- It is best for checking squareness of a machine with LM guide.
- This measures the squareness between X-axis and Y-axis by putting its Guide on measuring object.
- Adsorption surface has flat surface instead of V groove.

| Code # | Size | Sensitivity mm/m | Net Weight (kg) |
|------------|------|------------------|-----------------|
| 583-1502LM | 150 | 0.02 | 3.4 |
| 583-1505LM | | 0.05 | |



Work Measurement



- Main bubble is as accurate as Grade A (JIS)
- Mini level helps reading more strict inspection.
- User can measure with his/her hand off as its adsorption surface is magnetized.



PRECISION LEVEL

Mini Level

Stock No. 584 Traceability

“Grade A” class



| To measure... | | | |
|---------------|--------------|------------|-------------|
| Flatness | Straightness | Squareness | Parallelism |
| ◎ | ○ | × | ○ |

- Main bubble is as accurate as Grade A (JIS)
- In spite of its small size (100mm length), the chamber adjusts the length of the main bubble.
- Good for storage and carriage.
- Parallelism v groove to surface with v groove is 0.5 scale.

Unit = mm

| Code # | Wide | Depth | Height | Sensitivity (mm/m) | Net Weight (kg) |
|----------|------|-------|--------|--------------------|-----------------|
| 584-1002 | 100 | 33 | 45 | 0.02 | 0.5 |
| 584-1005 | 100 | 33 | 45 | 0.05 | 0.5 |

Precision High Level

Stock No.740



740A



740B

| To measure... |
|-----------------------|
| Zero point adjustment |

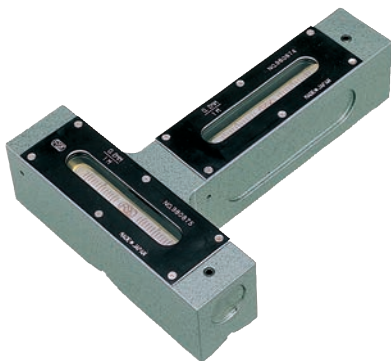
- The smallest size among our precision levels. (100mm length and 25mm Height)
- Easy to check the zero point, just put it.
- Main bubble is as accurate as standard type.

Unit = mm

| Code # | Model | Sensitivity (mm/m) | W × D × H | Diameter × Distance | Net Weight (kg) |
|--------|-------|--------------------|---------------|---------------------|-----------------|
| 740A05 | 740A | 0.05 | 100 × 22 × 25 | φ4.5 × 90 | 0.19 |
| 740A01 | | 0.1 | | | |
| 740B02 | 740B | 0.02 | 100 × 18 × 20 | — | 0.15 |
| 740B05 | | 0.05 | | | |
| 740B01 | | 0.1 | | | |

Cross-Test Precision Level T-type

Stock No.600 Traceability



| To measure... | | | |
|---------------|--------------|------------|-------------|
| Flatness | Straightness | Squareness | Parallelism |
| ◎ | ○ | × | ○ |

- Measures X-axis and Y-axis at one time.
- Both levels have zero point adjustment.
- Main bubble is as accurate as standard type.

Unit = mm

| Code # | Sensitivity (mm/m) | L × W × D × H | Net Weight (kg) |
|----------|--------------------|---------------------|-----------------|
| 600-2005 | 0.05 | 200 × 150 × 30 × 30 | 1.9 |
| 600-2001 | 0.1 | | |
| 600-2002 | 0.2 | | |

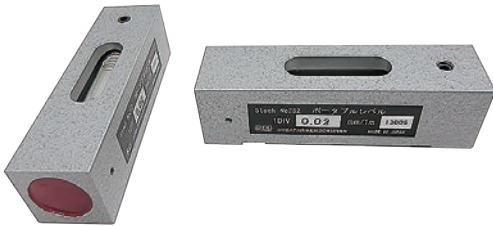


PRECISION LEVEL

Portable Level

Stock No. 252

| To measure... | | | |
|---------------|--------------|------------|-------------|
| Flatness | Straightness | Squareness | Parallelism |
| ○ | ○ | × | ○ |



- This is especially designed for portable use.
- It has zeropoint adjustment.
- The sensitivity is as good as standard Type.

Unit = mm

| Code # | Wide | Depth | Height | Sensitivity (mm/m) | Net Weight (kg) |
|--------|------|-------|--------|--------------------|-----------------|
| 252-02 | 100 | 27 | 27 | 0.02 | 0.34 |
| 252-05 | | | | 0.05 | |
| 252-01 | | | | 0.1 | |

Measuring Level Center

Stock No.501



- It makes it easier to adjust zero point adjustment. no need of surface plate.

| |
|--------|
| Code # |
| 501 |

Pocket Level

Stock No.572



- Nickel-plated level in hexagonal shape.

Unit = mm

| Code # | Size | Hex shape average | Net Weight (kg) |
|--------|------|-------------------|-----------------|
| 572-65 | 65 | 10 | 0.04 |
| 572-90 | 90 | 12 | 0.05 |

Square Type Cross Test Level

Stock No.574



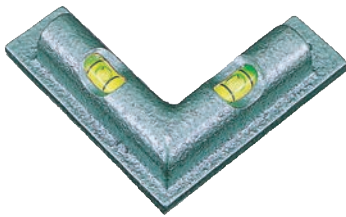
- Made of cast iron and its surface is plated.
- Good for measuring flatness and installation of the machines.

Unit = mm

| Code # | L | W | H | D | Net Weight (kg) |
|----------|----|----|----|----|-----------------|
| 574-75HV | 75 | 50 | 18 | 15 | 0.18 |

Cross Test Level

Stock No.575



- Made of cast iron.
- Good for measuring flatness and installation of the machines.

Unit = mm

| Code # | L | W | H | D | Height (kg) |
|--------|----|----|----|----|-------------|
| 575-65 | 65 | 65 | 18 | 15 | 0.23 |

Round Level

Stock No.576



- When bubbles meet the center, the flatness is proven.
- It can be attached to any machines and scales.

Unit = mm

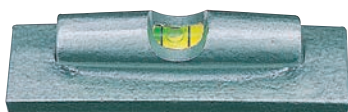
| Code # | Outside Diameter × Diameter of Brim × Height | Net Weight (kg) |
|---------|--|-----------------|
| 576-181 | ϕ 18 × ϕ 28 × 14 | 0.02 |
| 576-201 | ϕ 20 × ϕ 30 × 15 | 0.03 |
| 576-241 | ϕ 24 × ϕ 35 × 18 | 0.05 |
| 576-251 | ϕ 25 × ϕ 38 × 18 | 0.08 |

Unit = mm

| Code # | Outside Diameter × Height | Net Weight (kg) |
|---------|---------------------------|-----------------|
| 576-200 | 20 × 20 | 0.04 |
| 576-240 | 24 × 20 | 0.05 |

Small Bench Level

Stock No.573



- Cast-iron level.

Unit = mm

| Code # | Size | Net Weight (kg) |
|--------|------|-----------------|
| 573-90 | 90 | 0.25 |

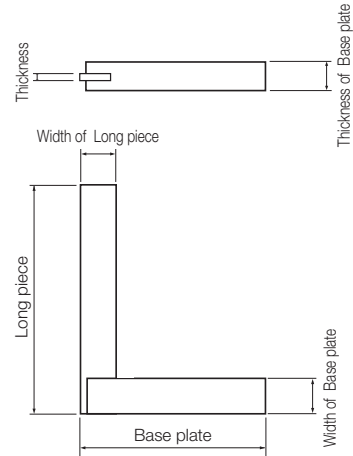
Precision Square With Base (JIS B 7526)

Stock No.546-1, 546-2

Traceability



- This is essential to measure straightness.
- First class is hardened.



Unit = mm

| | Code # | Nominal Size | Long piece | Base plate | Width of Long piece | Thickness of Long piece | Width of Base plate | Thickness of Base plate | Squareness (± μm) | Net Weight (kg) |
|------------------------|------------|--------------|------------|------------|---------------------|-------------------------|---------------------|-------------------------|---------------------|-----------------|
| Second Class | 546-0050C2 | 50 | 50 | 40 | 14 | 2.5 | 13 | 10 | 26.0 | 0.05 |
| | 546-0075C2 | 75 | 75 | 50 | 16 | 2.5 | 15 | 13 | 28.0 | 0.1 |
| | 546-0100C2 | 100 | 100 | 70 | 20 | 2.5 | 18 | 15 | 30.0 | 0.18 |
| | 546-0150C2 | 150 | 150 | 100 | 24 | 3 | 22 | 18 | 36.0 | 0.4 |
| | 546-0200C2 | 200 | 200 | 130 | 29 | 4 | 26 | 22 | 4.0 | 0.74 |
| | 546-0250C2 | 250 | 250 | 165 | 30 | 4 | 26 | 22 | 44.0 | 1.0 |
| | 546-0300C2 | 300 | 300 | 200 | 35 | 4 | 32 | 27 | 50.0 | 1.7 |
| | 546-0400C2 | 400 | 400 | 204 | 40 | 5 | 40 | 30 | 60.0 | 2.5 |
| | 546-0450C2 | 450 | 450 | 280 | 45 | 5 | 40 | 30 | 66.0 | 3.2 |
| | 546-0500C2 | 500 | 500 | 300 | 46 | 5 | 45 | 35 | 70.0 | 4.6 |
| | 546-0600C2 | 600 | 600 | 325 | 50 | 6 | 55 | 35 | 80.0 | 6.7 |
| | 546-0750C2 | 750 | 750 | 400 | 58 | 8 | 63 | 50 | 96.0 | 12.3 |
| | 546-1000C2 | 1,000 | 1,000 | 550 | 65 | 10 | 80 | 65 | 120.0 | 29.6 |
| | 546-1500C2 | 1,500 | 1,500 | 620 | 80 | 10 | 90 | 65 | 170.0 | 38 |
| 546-2000C2 | 2,000 | 2,000 | 830 | 100 | 12 | 105 | 70 | 220.0 | 66.7 | |
| First Class (Hardened) | 546-0050CQ | 50 | 50 | 40 | 14 | 2.5 | 13 | 10 | 13.0 | 0.05 |
| | 546-0075CQ | 75 | 75 | 50 | 16 | 2.5 | 15 | 13 | 14.0 | 0.1 |
| | 546-0100CQ | 100 | 100 | 70 | 20 | 2.5 | 18 | 15 | 15.0 | 0.18 |
| | 546-0150CQ | 150 | 150 | 100 | 24 | 3 | 22 | 18 | 18.0 | 0.4 |
| | 546-0200CQ | 200 | 200 | 130 | 29 | 4 | 26 | 22 | 20.0 | 0.74 |
| | 546-0250CQ | 250 | 250 | 165 | 30 | 4 | 26 | 22 | 22.0 | 1.0 |
| | 546-0300CQ | 300 | 300 | 200 | 35 | 4 | 32 | 27 | 25.0 | 1.7 |
| | 546-0400CQ | 400 | 400 | 204 | 40 | 5 | 40 | 30 | 30.0 | 2.5 |
| | 546-0450CQ | 450 | 450 | 280 | 45 | 5 | 40 | 30 | 33.0 | 3.2 |
| | 546-0500CQ | 500 | 500 | 300 | 46 | 5 | 45 | 35 | 35.0 | 4.6 |
| | 546-0600CQ | 600 | 600 | 325 | 50 | 6 | 55 | 35 | 40.0 | 6.7 |
| | 546-0750CQ | 750 | 750 | 400 | 58 | 8 | 63 | 50 | 48.0 | 12.3 |
| | 546-1000CQ | 1,000 | 1,000 | 550 | 65 | 10 | 80 | 65 | 60.0 | 29.6 |
| | 546-1500CQ | 1,500 | 1,500 | 620 | 80 | 10 | 90 | 65 | 85.0 | 38 |
| 546-2000CQ | 2,000 | 2,000 | 830 | 100 | 12 | 105 | 70 | 110.0 | 66.7 | |

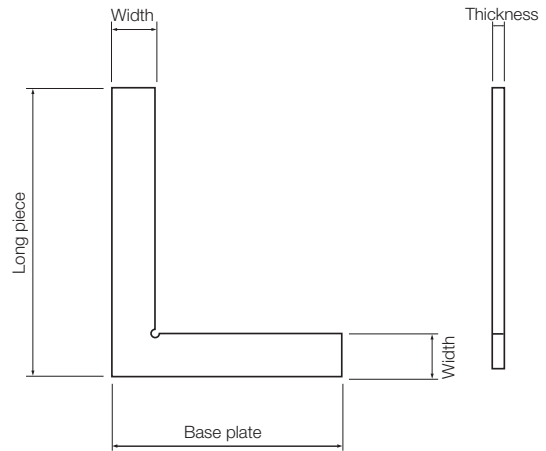
Flat -Type Square (JIS B 7526)

Stock No.547-1, 547-2

Traceability



- This is essential to measure straightness.
- First class is hardened.



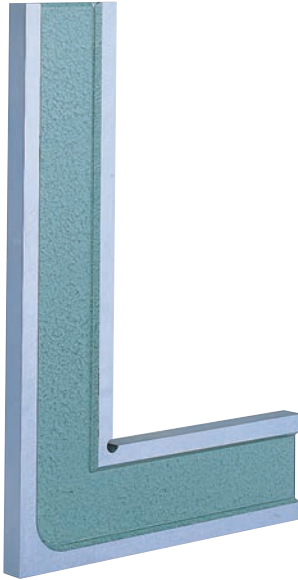
Unit = mm

| | Code # | Nominal Size | Long piece | Base plate | Width | Thickness | Squareness (± μm) | Net Weight (kg) |
|---------------------------|-----------|--------------|------------|------------|-------|-----------|------------------------|----------------------|
| Second Class | 547-00502 | 50 | 50 | 40 | 15 | 3 | 26.0 | 0.04 |
| | 547-00752 | 75 | 75 | 50 | 18 | 3 | 28.0 | 0.05 |
| | 547-01002 | 100 | 100 | 70 | 20 | 4 | 30.0 | 0.08 |
| | 547-01502 | 150 | 150 | 100 | 25 | 5 | 36.0 | 0.22 |
| | 547-02002 | 200 | 200 | 130 | 25 | 6 | 40.0 | 0.35 |
| | 547-02502 | 250 | 250 | 165 | 30 | 6 | 44.0 | 0.54 |
| | 547-03002 | 300 | 300 | 200 | 30 | 6 | 50.0 | 0.66 |
| | 547-04002 | 400 | 400 | 200 | 40 | 8 | 60.0 | 1.4 |
| | 547-04502 | 450 | 450 | 235 | 40 | 8 | 66.0 | 1.62 |
| | 546-05002 | 500 | 500 | 300 | 46 | 8 | 70.0 | 1.91 |
| | 546-06002 | 600 | 600 | 300 | 50 | 10 | 80.0 | 3.3 |
| | 546-07502 | 750 | 750 | 400 | 58 | 10 | 96.0 | 4.3 |
| | 546-10002 | 1,000 | 1,000 | 550 | 65 | 12 | 120.0 | 8.4 |
| | 546-15002 | 1,500 | 1,500 | 750 | 80 | 14 | 170.0 | 19.1 |
| 546-20002 | 2,000 | 2,000 | 1,000 | 100 | 16 | 220.0 | 36.3 | |
| First Class (Hardened) | 546-0050Q | 50 | 50 | 40 | 14 | 3 | 13.0 | 0.04 |
| | 546-0075Q | 75 | 75 | 50 | 16 | 3 | 14.0 | 0.05 |
| | 546-0100Q | 100 | 100 | 70 | 20 | 4 | 15.0 | 0.08 |
| | 546-0150Q | 150 | 150 | 100 | 25 | 5 | 18.0 | 0.22 |
| | 546-0200Q | 200 | 200 | 130 | 25 | 6 | 20.0 | 0.35 |
| | 546-0250Q | 250 | 250 | 165 | 30 | 6 | 22.0 | 0.54 |
| | 546-0300Q | 300 | 300 | 200 | 30 | 6 | 25.0 | 0.66 |
| | 546-0400Q | 400 | 400 | 200 | 40 | 8 | 30.0 | 1.4 |
| | 546-0450Q | 450 | 450 | 235 | 40 | 8 | 33.0 | 1.62 |
| | 546-0500Q | 500 | 500 | 300 | 40 | 8 | 35.0 | 1.91 |
| | 546-0600Q | 600 | 600 | 300 | 50 | 10 | 40.0 | 3.3 |
| | 546-0750Q | 750 | 750 | 400 | 50 | 10 | 48.0 | 4.3 |
| | 546-1000Q | 1,000 | 1,000 | 550 | 60 | 12 | 60.0 | 8.4 |
| | 546-1500Q | 1,500 | 1,500 | 750 | 80 | 14 | 85.0 | 19.1 |
| 546-2000Q | 2,000 | 2,000 | 1,000 | 100 | 16 | 110.0 | 36.3 | |

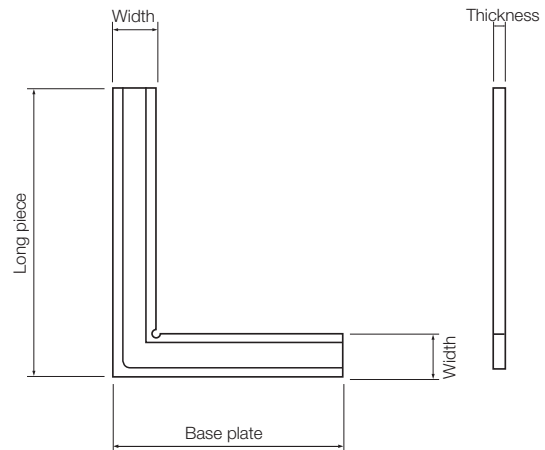
I -Type Precision Square (JIS B 7526)

Stock No.548-1, 548-2

Traceability



- This has the highest accuracy among the squares.
(Only First Class)
- Hardened, grinded and lapped finish.
- All size is hardened.
- Use it as a standard of all squares.



Unit = mm

| | Code # | Nominal Size | Long piece | Base plate | Width | Thickness | Squaremess (± μm) | Net Weigt (kg) |
|--------------|-----------|--------------|------------|------------|-------|-----------|------------------------|-------------------|
| Second Class | 548-00502 | 50 | 50 | 40 | 16 | 4 | 6.0 | 0.04 |
| | 548-00752 | ※ 75 | 75 | 50 | 18 | 4 | 6.5 | 0.07 |
| | 548-01002 | ※ 100 | 100 | 70 | 25 | 6 | 7.0 | 0.25 |
| | 548-01502 | ※ 150 | 150 | 100 | 30 | 8 | 8.0 | 0.5 |
| | 548-02002 | ※ 200 | 200 | 130 | 35 | 10 | 9.0 | 1.0 |
| | 548-02502 | 250 | 250 | 165 | 40 | 10 | 10.0 | 1.5 |
| | 548-03002 | ※ 300 | 300 | 200 | 40 | 15 | 11.0 | 2.5 |
| | 548-05002 | ※ 500 | 500 | 300 | 55 | 20 | 15.0 | 5.2 |
| | 548-06002 | 600 | 600 | 350 | 60 | 23 | 17.0 | 7.5 |
| First Class | 548-00501 | 50 | 50 | 40 | 16 | 4 | 2.50 | 0.04 |
| | 548-00751 | 75 | 75 | 50 | 18 | 4 | 2.80 | 0.07 |
| | 548-01001 | 100 | 100 | 70 | 25 | 6 | 3.0 | 0.25 |
| | 548-01501 | 150 | 150 | 100 | 30 | 8 | 3.50 | 0.5 |
| | 548-02001 | 200 | 200 | 130 | 35 | 10 | 4.0 | 1.0 |
| | 548-02501 | 250 | 250 | 165 | 40 | 10 | 4.50 | 1.5 |
| | 548-03001 | 300 | 300 | 200 | 40 | 15 | 5.0 | 2.5 |
| | 548-05001 | 500 | 500 | 300 | 55 | 20 | 7.0 | 5.2 |
| 548-06001 | 600 | 600 | 350 | 60 | 23 | 8.0 | 7.5 | |

Precision Thick Type Square

Stock No.549

[Traceability](#)



- This is a stable scale having thick base and column.
- All size is hardened.

Unit = mm

| Code # | Nominal Size | Long piece | Base plate | Width | Thickness | Squareness ($\pm \mu\text{m}$) | Net Weight (kg) |
|---------|--------------|------------|------------|-------|-----------|----------------------------------|-----------------|
| 549-050 | 50 | 50 | 40 | 15 | 10 | 13.0 | 0.1 |
| 549-075 | 75 | 75 | 50 | 18 | 12 | 14.0 | 0.2 |
| 549-100 | 100 | 100 | 70 | 20 | 15 | 15.0 | 0.4 |
| 549-125 | 125 | 125 | 80 | 20 | 15 | 16.0 | 0.5 |
| 549-150 | 150 | 150 | 100 | 25 | 20 | 18.0 | 0.9 |
| 549-200 | 200 | 200 | 130 | 30 | 20 | 20.0 | 1.4 |
| 549-250 | 250 | 250 | 145 | 35 | 25 | 23.0 | 2.5 |
| 549-300 | 300 | 300 | 170 | 35 | 25 | 25.0 | 3.0 |

Knife Edged Standard Square [I type]

Stock No.550

[Traceability](#)



- Its external angle is sharpened like a knife, the light coming from the gap between this square and object tells an error in squareness.
- All size is hardened.

Unit = mm

| Code # | Nominal Size | Long piece | Base plate | Width | Thickness | Squareness ($\pm \mu\text{m}$) | Net Weight (kg) |
|----------|--------------|------------|------------|-------|-----------|----------------------------------|-----------------|
| 550-0503 | 50 | 50 | 40 | 12 | 8 | 2.5 | 0.1 |
| 550-0753 | 75 | 75 | 50 | 16 | 10 | 2.8 | 0.2 |
| 550-1003 | 100 | 100 | 70 | 20 | 12 | 3.0 | 0.35 |
| 550-1503 | 150 | 150 | 100 | 24 | 14 | 3.5 | 0.7 |
| 550-2003 | 200 | 200 | 130 | 29 | 16 | 4.0 | 1.2 |
| 550-2503 | 250 | 250 | 165 | 32 | 16 | 4.5 | 2.0 |
| 550-3003 | 300 | 300 | 200 | 35 | 20 | 5.0 | 2.5 |

Knife Edged Standard Square [III Type] (JIS B7526)

Stock No.550-III Traceability



- Both external and internal angles are shaped like a knife.
- All size is hardened.

Unit = mm

| Code # | Nominal Size | Long piece | Base plate | Width | Thickness | Squareness (± μm) | Net Weight (kg) |
|---------|--------------|------------|------------|-------|-----------|---------------------|-----------------|
| 555-050 | 50 | 50 | 40 | 15 | 4 | 2.5 | 0.09 |
| 555-075 | 75 | 75 | 50 | 20 | 5 | 2.8 | 0.2 |
| 555-100 | 100 | 100 | 70 | 25 | 6 | 3.0 | 0.27 |
| 555-150 | 150 | 150 | 100 | 30 | 8 | 3.5 | 0.5 |
| 555-200 | 200 | 200 | 130 | 35 | 10 | 4.0 | 1.1 |
| 555-250 | 250 | 250 | 165 | 35 | 10 | 4.5 | 1.8 |
| 555-300 | 300 | 300 | 200 | 40 | 15 | 5.0 | 2.3 |

Cylindrical Square (JIS B7539)

Stock No.551 Traceability



- This has the highest accuracy among the squares.
- All size is hardened.

※ The handle of the size smaller than 300mm types cannot be detached.

Unit = mm

| Code # | Nominal Size | Height | Diameter | Squareness (± μm) | Net Weight (kg) |
|-----------|--------------|--------|----------|---------------------|-----------------|
| 551-0100Q | 100 | 100 | 60 | 2.5 | 2.5 |
| 551-0150Q | 150 | 150 | 70 | 2.8 | 4.9 |
| 551-0200Q | 200 | 200 | 80 | 3.0 | 8.3 |
| 551-0250Q | 250 | 250 | 90 | 3.3 | 13 |
| 551-0300Q | 300 | 300 | 100 | 3.5 | 17 |
| 551-0350Q | 350 | 350 | 110 | 3.8 | 19.4 |
| 551-0400Q | 400 | 400 | 120 | 4.0 | 21 |
| 551-0500Q | 500 | 500 | 130 | 4.5 | 30.5 |
| 551-0600Q | 600 | 600 | 160 | 5.0 | 48 |
| 551-0800Q | 800 | 800 | 200 | 6.0 | 84 |
| 551-1000Q | 1000 | 1000 | 240 | 7.0 | 170 |
| 551-1200Q | 1200 | 1200 | 250 | 8.0 | 190 |

About accuracy of SQUARE

| Type | Class | Calculating Squareness |
|-----------------------------|--------------|------------------------------------|
| Cyrindrial Square | | $\pm (2+ \ell /200) \mu\text{m}$ |
| Knife Edged Standard Square | — | $\pm (2+ \ell /100) \mu\text{m}$ |
| I -Type Precision Square | First Class | |
| I -Type Precision Square | Second Class | $\pm (5+ \ell /50) \mu\text{m}$ |
| Flat Type Squae | First Class | $\pm (10+ \ell /20) \mu\text{m}$ |
| Precision Square with Base | | |
| Graduated Precision Square | — | |
| Precision Thick Square | | |
| Flat Type Squae | Second Class | $\pm (20+ \ell /10) \mu\text{m}$ |
| Precision Square with Base | | |

About accuracy of STRAIGHT EDGE

| Type | Class | Calculating Straightness |
|---|---------|------------------------------------|
| Knife-Type Straight Edge | — | $\pm (1+ \ell /250) \mu\text{m}$ |
| Precision Straight Edge I Type | Class A | $\pm (2+ \ell /250) \mu\text{m}$ |
| Precision Straight Edge | | |
| Wide-Type Highest Grade Straight Edge | | |
| I Beam Type Highest Grade Straight Edge | Class A | $\pm (2+ \ell /100) \mu\text{m}$ |
| Standard Steel Straight Edge | | |
| Wide-Type Highest Grade Straight Edge | Class B | $\pm (4+ \ell /50) \mu\text{m}$ |
| Precision Straight Edge I Type | | |
| Precision Straight Edge | | |
| Steel Straight Edge Bevel Type | — | $\pm (10+ \ell /50) \mu\text{m}$ |
| Steel Straight Edge Normal Type | | |



STRAIGHT EDGE

I Beam Type Highest Grade Straight Edge

Stock No.553

Traceability



- This is essential to measure flatness, parallelism and squareness.
- They are either hardened or unhardened.
- This is classified into either class A or B.

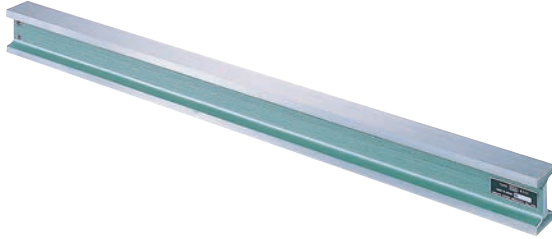
Unit = mm

| | Code # | Nominal Size | Length | Width | Thickness | Straightness (µm) | Net Weight (kg) |
|---------------------------|-----------|--------------|--------|-------|-----------|-------------------|-----------------|
| Class A (Hardened) | 553-0500Q | 500 | 500 | 50 | 10 | 7.0 | 1.5 |
| | 553-0750Q | 750 | 750 | 50 | 10 | 9.5 | 3.2 |
| | 553-1000Q | 1,000 | 1,000 | 60 | 12 | 12.0 | 5.0 |
| | 553-1500Q | 1,500 | 1,500 | 70 | 15 | 17.0 | 8.5 |
| | 553-2000Q | 2,000 | 2,000 | 90 | 18 | 22.0 | 18.5 |
| | 553-2500Q | 2,500 | 2,500 | 100 | 18 | 27.0 | 25.0 |
| | 553-3000Q | 3,000 | 3,000 | 120 | 22 | 32.0 | 44.0 |
| | 553-3500Q | 3,500 | 3,500 | 130 | 22 | 37.0 | 55.0 |
| | 553-4000Q | 4,000 | 4,000 | 140 | 25 | 42.0 | 75.0 |
| Class A (Not Hardened) | 553-0500A | 500 | 500 | 50 | 10 | 7.0 | 1.5 |
| | 553-0750A | 750 | 750 | 50 | 10 | 9.5 | 3.2 |
| | 553-1000A | 1,000 | 1,000 | 60 | 12 | 12.0 | 5.0 |
| | 553-1500A | 1,500 | 2,500 | 70 | 15 | 17.0 | 8.5 |
| | 553-2000A | 2,000 | 2,000 | 90 | 18 | 22.0 | 18.5 |
| | 553-2500A | 2,500 | 2,500 | 100 | 18 | 27.0 | 25.0 |
| | 553-3000A | 3,000 | 3,000 | 120 | 22 | 32.0 | 44.0 |
| | 553-3500A | 3,500 | 3500 | 130 | 22 | 37.0 | 55.0 |
| | 553-4000A | 4,000 | 4,000 | 140 | 25 | 42.0 | 75.0 |
| Class B (Not Hardened) | 553-0500B | 500 | 500 | 50 | 10 | 20.0 | 1.5 |
| | 553-0750B | 750 | 750 | 50 | 10 | 25.0 | 3.2 |
| | 553-1000B | 1,000 | 1,000 | 60 | 12 | 30.0 | 5.0 |
| | 553-1500B | 1,500 | 1,500 | 70 | 15 | 40.0 | 8.5 |
| | 553-2000B | 2,000 | 2,000 | 90 | 18 | 50.0 | 18.5 |
| | 553-2500B | 2,500 | 2,500 | 100 | 18 | 60.0 | 25.0 |
| | 553-3000B | 3,000 | 3,000 | 120 | 22 | 70.0 | 44.0 |
| | 553-3500B | 3,500 | 3,500 | 130 | 22 | 80.0 | 55.0 |
| | 553-4000B | 4,000 | 4,000 | 140 | 25 | 90.0 | 45.0 |

Wide-Type Highest Grade Straight Edge

Stock No.554A, 554B

Traceability



- This is good for checking parallelism tolerance and installing machines.
- They are either hardened or unhardened.
- This is classified into either class A or B.

Unit = mm

| | Code # | Nominal Size | Length | Width | Thickness | Straightness (µm) | Net Weight (kg) |
|---------------------------|------------|--------------|--------|-------|-----------|-------------------|-----------------|
| Class A (Hardened) | 554-1000AQ | 1,000 | 1,000 | 75 | 50 | 6.0 | 20 |
| | 554-1500AQ | 1,500 | 1,500 | 90 | 50 | 8.0 | 37 |
| | 554-2000AQ | 2,000 | 2,000 | 120 | 50 | 10.0 | 54 |
| | 554-2500AQ | 2,500 | 2,500 | 140 | 50 | 12.0 | 78 |
| | 554-3000AQ | 3,000 | 3,000 | 180 | 50 | 14.0 | 105 |
| | 554-4000AQ | 4,000 | 4,000 | 200 | 50 | 18.0 | 165 |
| Class A (Not Hardened) | 554-1000A | 1,000 | 1,000 | 75 | 50 | 6.0 | 20 |
| | 554-1500A | 1,500 | 1,500 | 90 | 50 | 8.0 | 37 |
| | 554-2000A | 2,000 | 2,000 | 120 | 50 | 10.0 | 54 |
| | 554-2500A | 2,500 | 2,500 | 140 | 50 | 12.0 | 78 |
| | 554-3000A | 3,000 | 3,000 | 180 | 50 | 14.0 | 105 |
| | 554-4000A | 4,000 | 4,000 | 200 | 50 | 18.0 | 165 |
| Class B (Hardened) | 554-1000BQ | 1,000 | 1,000 | 75 | 50 | 24.0 | 20 |
| | 554-1500BQ | 1,500 | 1,500 | 90 | 50 | 34.0 | 37 |
| | 554-2000BQ | 2,000 | 2,000 | 120 | 50 | 44.0 | 54 |
| | 554-2500BQ | 2,500 | 2,500 | 140 | 50 | 54.0 | 78 |
| | 554-3000BQ | 3,000 | 3,000 | 180 | 50 | 64.0 | 105 |
| | 554-4000BQ | 4,000 | 4,000 | 200 | 50 | 84.0 | 165 |
| Class B (Not Hardened) | 554-1000B | 1,000 | 1,000 | 75 | 50 | 24.0 | 20 |
| | 554-1500B | 1,500 | 1,500 | 90 | 50 | 34.0 | 37 |
| | 554-2000B | 2,000 | 2,000 | 120 | 50 | 44.0 | 54 |
| | 554-2500B | 2,500 | 2,500 | 140 | 50 | 54.0 | 78 |
| | 554-3000B | 3,000 | 3,000 | 180 | 50 | 64.0 | 105 |
| | 554-4000B | 4,000 | 4,000 | 200 | 50 | 84.0 | 165 |



STRAIGHT EDGE

Precision Straight Edge I Type (JIS B7514)

Stock No.594 Traceability



Precision Straight Edge (JIS B7514)

Stock No.595 Traceability



Unit = mm

| | Code # | Nominal Size (plain scale is plus 40mm) | Length | Width | Straightness (μm) | Squareness (μm) | Net Weight (kg) |
|---------------------------|------------|--|--------|-------|-----------------------------------|---------------------------------|--------------------|
| Class A (Hardened) | 594-0300AQ | 300 | 50 | 10 | 3.0 | 30.0 | 20 |
| | 594-0500AQ | 500 | 50 | 10 | 4.0 | 30.0 | 37 |
| | 594-1000AQ | 1,000 | 60 | 12 | 6.0 | 40.0 | 54 |
| | 594-1500AQ | 1,500 | 70 | 15 | 8.0 | 50.0 | 78 |
| | 594-2000AQ | 2,000 | 90 | 20 | 10.0 | 60.0 | 105 |
| | 594-3000AQ | 3,000 | 120 | 22 | 14.0 | 70.0 | 165 |
| Class A (Not Hardened) | 594-0300A | 300 | 50 | 10 | 3.0 | 30.0 | 20 |
| | 594-0500A | 500 | 50 | 10 | 4.0 | 30.0 | 37 |
| | 594-1000A | 1,000 | 60 | 12 | 6.0 | 40.0 | 54 |
| | 594-1500A | 1,500 | 70 | 15 | 8.0 | 50.0 | 78 |
| | 594-2000A | 2,000 | 90 | 20 | 10.0 | 60.0 | 105 |
| | 594-3000A | 3,000 | 120 | 22 | 14.0 | 70.0 | 165 |
| Class B (Hardened) | 594-0300BQ | 300 | 50 | 10 | 10.0 | 100.0 | 20 |
| | 594-0500BQ | 500 | 50 | 10 | 14.0 | 100.0 | 37 |
| | 594-1000BQ | 1,000 | 60 | 12 | 24.0 | 150.0 | 54 |
| | 594-1500BQ | 1,500 | 120 | 15 | 34.0 | 200.0 | 78 |
| | 594-2000BQ | 2,000 | 90 | 20 | 44.0 | 250.0 | 105 |
| | 594-3000BQ | 3,000 | 120 | 22 | 64.0 | 300.0 | 165 |
| Class B (Not Hardened) | 594-0300B | 300 | 50 | 10 | 10.0 | 100.0 | 20 |
| | 594-0500B | 500 | 50 | 10 | 14.0 | 100.0 | 37 |
| | 594-1000B | 1,000 | 60 | 12 | 24.0 | 150.0 | 54 |
| | 594-1500B | 1,500 | 70 | 15 | 34.0 | 200.0 | 78 |
| | 594-2000B | 2,000 | 90 | 20 | 44.0 | 250.0 | 105 |
| | 594-3000B | 3,000 | 120 | 22 | 64.0 | 300.0 | 165 |

- These are essential to measure flatness, parallelism and squareness.
- They are classified into either class A or B.
- They are either hardened or unhardened.
- This type of straight edge has added 40mm extra length.

Steel Straight Edge

Stock No.555B, 555S

Traceability

Bevel Type



Normal Type



- Good for marking.
- Accuracy on one of the measuring surface is guaranteed. (For bevel type, it is blade surface. For normal type it is A side.)
- They are either hardened or unhardened.

Bevel Type Straight Edge

Unit = mm

| Code # | Nominal Size | Length | Width | Thickness | Bevel edge thickness | Net Weight (kg) | Straightness (μm) |
|-----------|--------------|--------|-------|-----------|----------------------|-----------------|-------------------|
| 555-0150B | 150 | 150 | 25 | 3 | 1.0 | 0.08 | 13.0 |
| 555-0200B | 200 | 200 | 25 | 3 | 1.0 | 0.1 | 14.0 |
| 555-0250B | 250 | 250 | 30 | 4 | 2.0 | 0.3 | 15.0 |
| 555-0300B | 300 | 300 | 35 | 5 | 2.0 | 0.4 | 16.0 |
| 555-0450B | 450 | 450 | 40 | 5 | 2.0 | 0.7 | 19.0 |
| 555-0500B | 500 | 500 | 40 | 5 | 2.0 | 0.8 | 20.0 |
| 555-0600B | 600 | 600 | 40 | 5 | 2.0 | 0.9 | 22.0 |
| 555-0750B | 750 | 750 | 50 | 6 | 2.0 | 1.6 | 25.0 |
| 555-1000B | 1,000 | 1,000 | 50 | 6 | 2.0 | 2.5 | 30.0 |
| 555-1500B | 1,500 | 1,500 | 75 | 6 | 2.0 | 5.5 | 40.0 |
| 555-2000B | 2,000 | 2,000 | 85 | 8 | 2.5 | 10.5 | 50.0 |
| 555-2500B | 2,500 | 2,500 | 90 | 10 | 2.5 | 18.0 | 60.0 |
| 555-3000B | 3,000 | 3,000 | 100 | 10 | 3.0 | 23.5 | 70.0 |

Normal Type Straight Edge

Unit = mm

| Code # | Nominal Size | Length | Width | Thickness | Net Weight (kg) | Straightness (μm) |
|----------|--------------|--------|-------|-----------|-----------------|-------------------|
| 555-0150 | 150 | 150 | 25 | 3.0 | 0.08 | 13.0 |
| 555-0200 | 200 | 200 | 25 | 3.0 | 0.11 | 14.0 |
| 555-0250 | 250 | 250 | 30 | 4.0 | 0.3 | 15.0 |
| 555-0300 | 300 | 300 | 35 | 5.0 | 0.4 | 16.0 |
| 555-0450 | 450 | 450 | 40 | 5.0 | 0.7 | 19.0 |
| 555-0500 | 500 | 500 | 40 | 5.0 | 0.8 | 20.0 |
| 555-0600 | 600 | 600 | 40 | 5.0 | 0.9 | 22.0 |
| 555-0750 | 750 | 750 | 50 | 6.0 | 1.7 | 25.0 |
| 555-1000 | 1,000 | 1,000 | 50 | 6.0 | 2.6 | 30.0 |
| 555-1500 | 1,500 | 1,500 | 75 | 6.0 | 5.8 | 40.0 |
| 555-2000 | 2,000 | 2,000 | 85 | 8.0 | 11.0 | 50.0 |
| 555-2500 | 2,500 | 2,500 | 90 | 10.0 | 19.0 | 60.0 |
| 555-3000 | 3,000 | 3,000 | 100 | 10.0 | 24.0 | 70.0 |

Standard Steel Straight Edge

Stock No.556

Traceability



- It suits for marking.
- They are either hardened or unhardened.

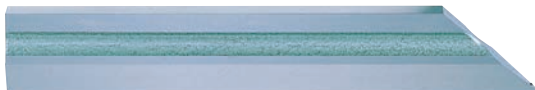
Unit = mm

| Code # | Nominal Size | Length | Width | Thickness | Straightness (µm) | Net Weight (kg) |
|-----------|--------------|--------|-------|-----------|-------------------|-----------------|
| 556-0500 | 500 | 500 | 50 | 10 | 7.0 | 2.0 |
| 556-0750 | 750 | 750 | 50 | 10 | 9.5 | 2.9 |
| 556-1000 | 1,000 | 1,000 | 60 | 12 | 12.0 | 5.7 |
| 556-1500 | 1,500 | 1,500 | 70 | 15 | 17.0 | 12.4 |
| 556-2000 | 2,000 | 2,000 | 80 | 18 | 22.0 | 22.6 |
| 556-2500 | 2,500 | 2,500 | 100 | 18 | 27.0 | 35.3 |
| 556-3000 | 3,000 | 3,000 | 120 | 22 | 32.0 | 62.2 |
| 556-0500Q | 500 | 500 | 50 | 10 | 7.0 | 2.0 |
| 556-0750Q | 750 | 750 | 50 | 10 | 9.5 | 2.9 |
| 556-1000Q | 1,000 | 1,000 | 60 | 12 | 12.0 | 5.7 |
| 556-1500Q | 1,500 | 1,500 | 70 | 15 | 17.0 | 12.4 |
| 556-2000Q | 2,000 | 2,000 | 80 | 18 | 22.0 | 22.6 |
| 556-2500Q | 2,500 | 2,500 | 100 | 18 | 27.0 | 35.3 |
| 556-3000Q | 3,000 | 3,000 | 120 | 22 | 32.0 | 62.2 |

Knife-Type Straight Edge

Stock No.552

Traceability



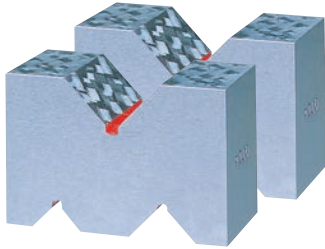
- Measuring surface is sharpened like a knife.
- This is for testing flat surface, when good accuracy is required.
- All size is hardened.

Unit = mm

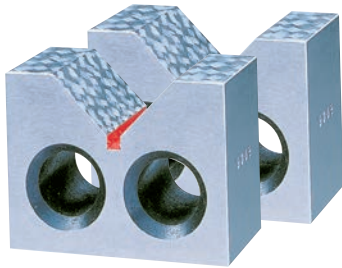
| Code # | Nominal Size | Length | Width | Straightness (µm) | Net Weight (kg) |
|---------|--------------|--------|-------|-------------------|-----------------|
| 552-080 | 80 | 80 | 23 | 1.3 | 0.14 |
| 552-100 | 100 | 100 | 24 | 1.4 | 0.16 |
| 552-125 | 125 | 125 | 25 | 1.5 | 0.19 |
| 552-150 | 150 | 150 | 25 | 1.6 | 0.24 |
| 552-200 | 200 | 200 | 30 | 1.8 | 0.4 |
| 552-250 | 250 | 250 | 30 | 2.0 | 0.45 |
| 552-300 | 300 | 300 | 32 | 2.2 | 0.65 |
| 552-400 | 400 | 400 | 35 | 2.6 | 0.9 |
| 552-500 | 500 | 500 | 40 | 3.0 | 1.5 |
| 552-600 | 600 | 600 | 40 | 3.4 | 1.8 |

Cast Iron V Block

A-type Stock No. 557AA, 557A Traceability



B-type Stock No. 557BA, 557B Traceability



- Good for marking and fixture 1 set has 2 pieces.
- A-type: There are three V grooves.
- B-type: Thicker than A type but designed for weight saving.
- This is classified into either Normal class or A class.

Normal class :

Parallellness between base and V grooves 0.01mm

Squareness of each surface ± 0.01 mm

A class : Parallellness between base and V grooves 0.005mm

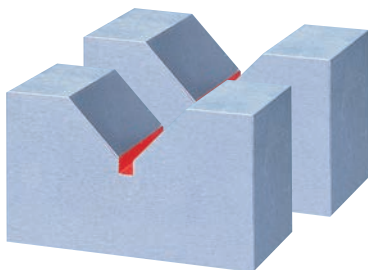
Squareness of each surface ± 0.005 mm

Unit = mm

| | Code # | Nominal Size | Length | Height | Thickness | Net Weight (kg) |
|--------|----------|--------------|--------|--------|-----------|-----------------|
| A-Type | 557-050A | 50 | 50 | 24 | 19 | 0.2 |
| | 557-075A | 75 | 75 | 35 | 24 | 0.6 |
| | 557-100A | 100 | 100 | 52 | 33 | 2.0 |
| | 557-125A | 125 | 125 | 69 | 44 | 4.5 |
| | 557-150A | 150 | 150 | 80 | 50 | 7.0 |
| | 557-200A | 200 | 200 | 110 | 70 | 18.0 |
| B-Type | 557-050B | 50 | 50 | 32 | 24 | 0.4 |
| | 557-075B | 75 | 75 | 60 | 32 | 1.5 |
| | 557-100B | 100 | 100 | 67 | 41 | 2.5 |
| | 557-125B | 125 | 125 | 79 | 51 | 3.4 |
| | 557-150B | 150 | 150 | 89 | 63 | 8.1 |
| | 557-200B | 200 | 200 | 140 | 102 | 22.2 |

Precision Steel V Block

Stock No. 558AA, 558A Traceability



- Good for marking and fixture 1 set has 2 pieces.
- They are either hardened or unhardened.
- Parallellness between base and V grooves 0.005mm.
- Squareness of each surface ± 0.005 mm.

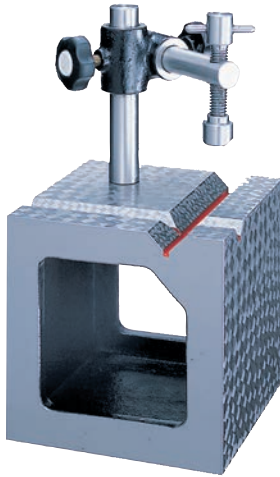
Unit = mm

| | Code # | Nominal Size | Length | Height | Thickness | Net Weight (kg) |
|--------------|----------|--------------|--------|--------|-----------|-----------------|
| Not hardened | 558-038 | 38 | 38 | 24 | 19 | 0.3 |
| | 558-050 | 50 | 50 | 28 | 22 | 0.53 |
| | 558-065 | 65 | 65 | 40 | 25 | 1.0 |
| | 558-075 | 75 | 75 | 50 | 35 | 1.9 |
| | 558-100 | 100 | 100 | 60 | 38 | 3.3 |
| | 558-125 | 125 | 125 | 70 | 45 | 6.0 |
| | 558-150 | 150 | 150 | 90 | 60 | 11.9 |
| Hardened | 558-038Q | 38 | 38 | 24 | 19 | 0.3 |
| | 558-050Q | 50 | 50 | 28 | 22 | 0.53 |
| | 558-065Q | 65 | 65 | 40 | 25 | 1.0 |
| | 558-075Q | 75 | 75 | 50 | 35 | 1.9 |
| | 558-100Q | 100 | 100 | 60 | 38 | 3.3 |
| | 558-125Q | 125 | 125 | 70 | 45 | 6.0 |
| | 558-150Q | 150 | 150 | 90 | 60 | 11.9 |

Box V Block With Clamp

Stock No.559A, 559B

[Traceability](#)



- High accuracy of parallelism and squareness, due to the scraping surfaces.
- Put on cylinder on V groove and compress clamp.
- They are classified into either class A or B.

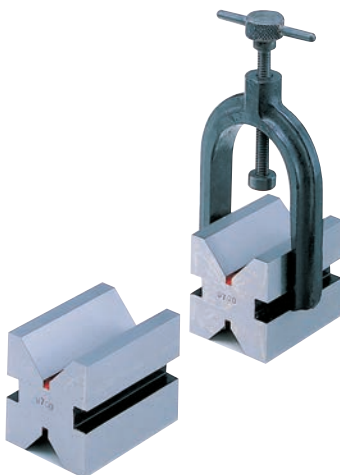
Unit = mm

| | Code # | Nominal Size | Length | Thickness | Squareness Parallelness (μm) | Net Weight (kg) |
|---------|----------|--------------|--------|-----------|---|--------------------|
| Class A | 559-100A | 100 | 100 | 13 | 7 | 3.7 |
| | 559-125A | 125 | 125 | 16 | 7.5 | 6.0 |
| | 559-150A | 150 | 150 | 18 | 8 | 10.3 |
| | 559-200A | 200 | 200 | 25 | 9 | 21.0 |
| | 559-250A | 250 | 250 | 32 | 10 | 48.0 |
| | 559-300A | 300 | 300 | 38 | 11 | 61.0 |
| Class B | 559-100B | 100 | 100 | 13 | 14 | 3.7 |
| | 559-125B | 125 | 125 | 16 | 15 | 6.0 |
| | 559-150B | 150 | 150 | 18 | 16 | 10.3 |
| | 559-200B | 200 | 200 | 25 | 18 | 21.0 |
| | 559-250B | 250 | 250 | 32 | 20 | 48.0 |
| | 559-300B | 300 | 300 | 38 | ± 30 | 61.0 |

Steel V Block With Clamp

Stock No.586

[Traceability](#)



- Good for fixture for centering, drilling and milling.
- Parallelness of the V groove is 0.01mm.
- Clamp is attached.
- All size is hardened.

Unit = mm

| Code # | Nominal Size | Height | Width | Length | Net Weight (kg) |
|--------|--------------|--------|-------|--------|--------------------|
| 586-30 | 30 | 30 | 30 | 40 | 0.8 |
| 586-40 | 40 | 40 | 40 | 50 | 1.5 |
| 586-50 | 50 | 50 | 50 | 60 | 3.0 |
| 586-60 | 60 | 60 | 60 | 70 | 4.5 |



DIAL COMPARETOR

Dial Comparator

Stock No.561

Traceability



561-PH3



561-PH2



561-U



561-US



561-PH3G



561-PH2G



561-UG

- PH3 is best for measuring thickness. (table hardened.)
- PH2 has intermediate bearing. It measures the thickness of rings, pipes, and other bent parts.
- 561-U, 561-US, 561-UG, are good for comparison testing of outside diameter.
- 561-PH3G, 561-PH2G and 561-UG has granite base.
- NOTE : Dial Gauge is not included.

Unit = mm

| Code # | Base Length | Base Width | Base Height | Main Spindle Length | Net Weight (kg) |
|----------|-------------|------------|-------------|---------------------|-----------------|
| 561-PH3 | 200 | 120 | 50 | 200 | 6 |
| 561-PH2 | 175 | 210 | 50 | 200 | 12 |
| 561-U | 180 | 200 | 50 | 245 | 16 |
| 561-US | 175 | 138 | 40 | 200 | 6 |
| 561-PH3G | 210 | 110 | 40 | 200 | 4.6 |
| 561-PH2G | 230 | 210 | 50 | 220 | 12 |
| 561-UG | 230 | 210 | 50 | 245 | 16 |



DIAL COMPARETOR

Dial Stand

Stock No.610

Traceability



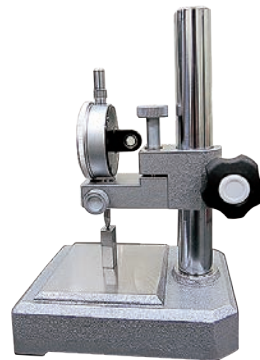
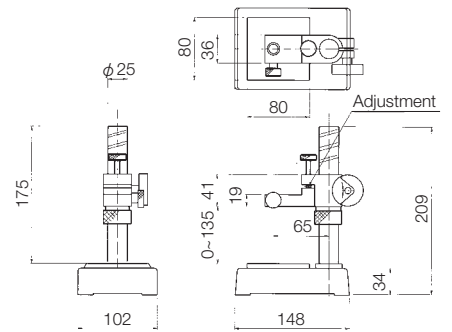
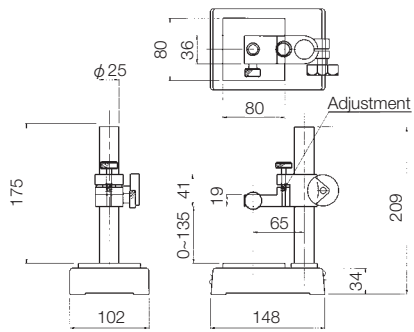
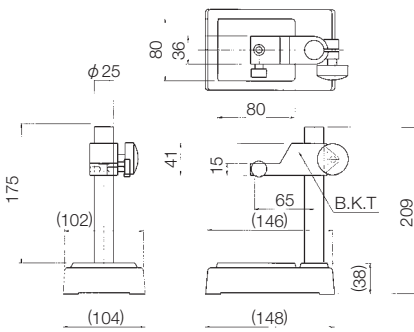
RS-1
Standard Model



RS-2
(With Adjustment)



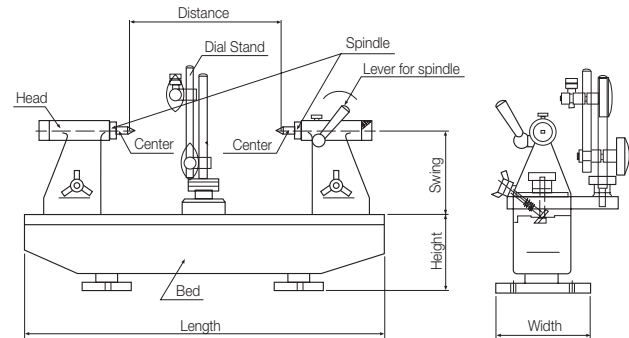
RS-3
(With Adjustment)



Unit = mm

- For relative measurement of thickness.
- It is possible to regrind the surface.
- NOTE : Dial Gauge is not included.

| Code # | Model | Measurable Height | Table Area | Adjustment Stroke | Net Weight (kg) |
|---------|-------|-------------------|------------|-------------------|-----------------|
| 610-RS1 | RS-1 | 0 ~ 135 | 80x80 | - | 3.4 |
| 610-RS2 | RS-2 | 0 ~ 135 | | 3 | 3.4 |
| 610-RS3 | RS-3 | 20 ~ 135 | | 3 | 3.4 |



No.1

- This instrument has wide range of application, such as measuring deflection of machine tools, arbors, gears and checking roundness of different parts.

NOTE : Dial Gauge is not included.

Each model has maximum allowable size and withstand load as follows.

| | | |
|--------------|--------------------|-----------------------|
| No. 1 | ϕ 300× 400mm | 46kg or less, |
| No. 2 | ϕ 480× 800mm | 120Kg or less, |
| No. 3 | ϕ 600×1,200mm | 250Kg or less |

Unit = mm

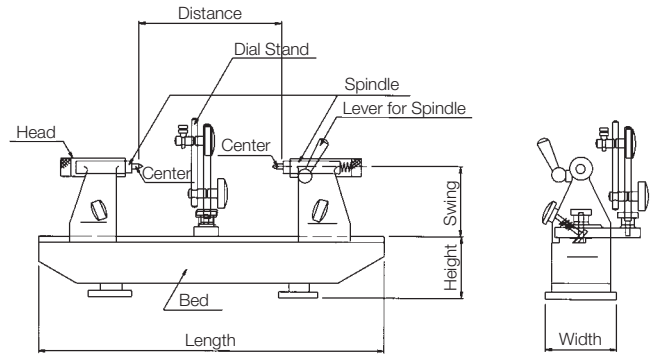
| Code # | Model | Bed Length | Bed Width | Bed Height | Center Distance | Swing | Flatness | Paralellness | Apply Center | Net Weight (kg) |
|--------|-------|------------|-----------|------------|-----------------|-------|----------|--------------|--------------|-----------------|
| 562-1 | No.1 | 750 | 115 | 130 | 400 | 150 | 6 | 5 | MT-2 | 46 |
| 562-2 | No.2 | 1,200 | 160 | 230 | 800 | 240 | 8 | 8 | MT-2 | 120 |
| 562-3 | No.3 | 1,700 | 200 | 300 | 1,200 | 300 | 10 | 10 | MT-3 | 250 |



Bench Center (P Type)

Stock No.563

Traceability



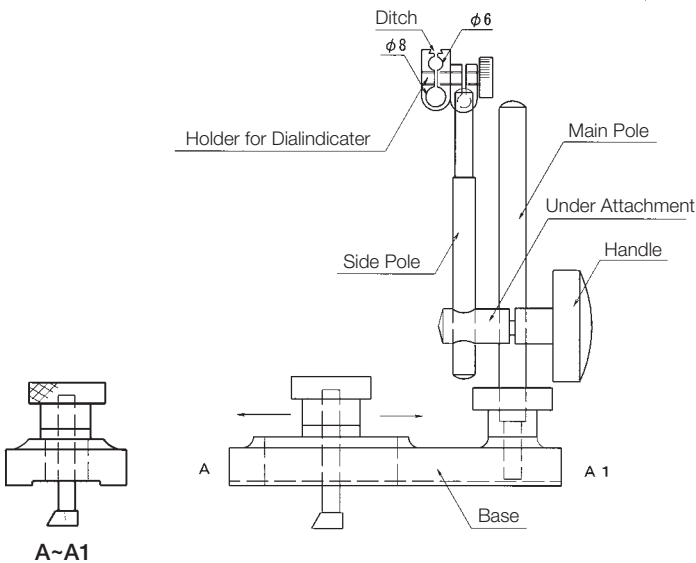
- Small type of bench center.
- As the swing is set lower, small measuring object can be measured easier.

NOTE : Dial gauge is not included.

Unit = mm

| Code # | Model | Bed Length | Bed Width | Bed Height | Center Distance | Swing | Flatness (μm) | Paralellness (μm) | Apply Center | Net Weight (kg) |
|---------|-------|------------|-----------|------------|-----------------|-------|---------------|-------------------|--------------|-----------------|
| 563-P1L | P-1 | 380 | 81 | 65 | 150 | 110 | 5 | 5 | MT- 1 | 14 |
| 563-P2L | P-2 | 420 | 81 | 72 | 200 | 110 | 5 | 5 | MT- 1 | 16 |
| 563-P3L | P-3 | 530 | 83 | 90 | 300 | 110 | 5 | 5 | MT- 1 | 20 |

Dial Stand For Dial indicator



RSK produces dial stand for dial indicator.
It is applied for bench center (included P type)

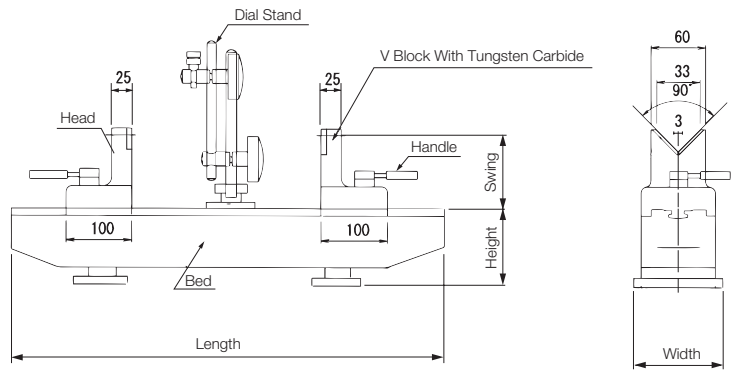
These 3 types can be chosen.

- φ 6, φ 8 With Ditch
- φ 6, φ 9.52 With Ditch
- φ 6, φ 9.52 Without Ditch

RV-Type Bench Center With V Block Carbide

Stock No.591

Traceability



- Using its V groove, this measures object without center hole.
- A piece of carbide is attached to V groove in order to add more abrasion resistance.

NOTE : Dial gauge is not included.

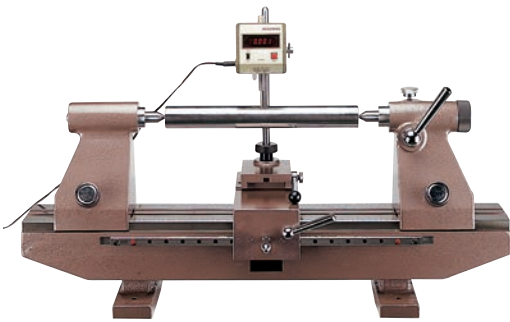
Unit = mm

| Codee # | Model | Bed Length | Bed Width | Swing | Maximum Length between Head and Head | Paralellness of V grooves | Maximum allowable size | Net Weight (kg) |
|---------|-------|------------|-----------|-------|--------------------------------------|---------------------------|------------------------|-----------------|
| 591-RV1 | RV-1 | 380 | 82 | 73 | 180 | 5 μm | φ 5 ~ φ 40 | 11 |
| 591-RV2 | RV-2 | 420 | 82 | 73 | 230 | 5 μm | φ 5 ~ φ 40 | 13 |
| 591-RV3 | RV-3 | 530 | 82 | 73 | 330 | 5 μm | φ 5 ~ φ 40 | 15 |

Slide Guides Type Bench Center

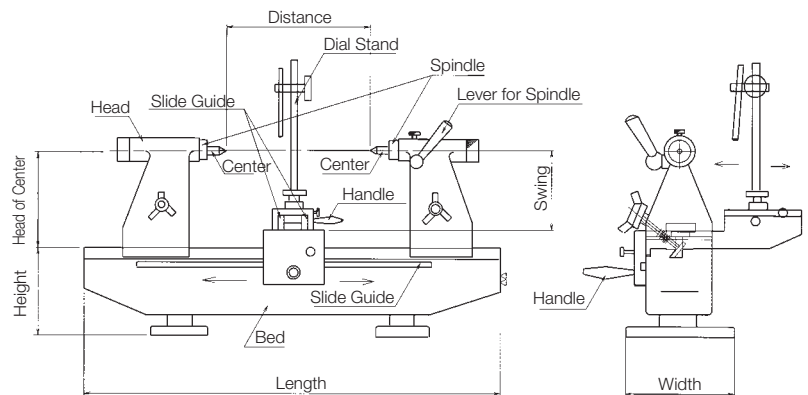
Stock No.562S

Traceability



- Dial gauge is designed to move not only back and forth but right to left.
- Besides, it measures eccentricity, deflection of roller shaft and flange and so on.

NOTE : Dial gauge is not included.



Unit = mm

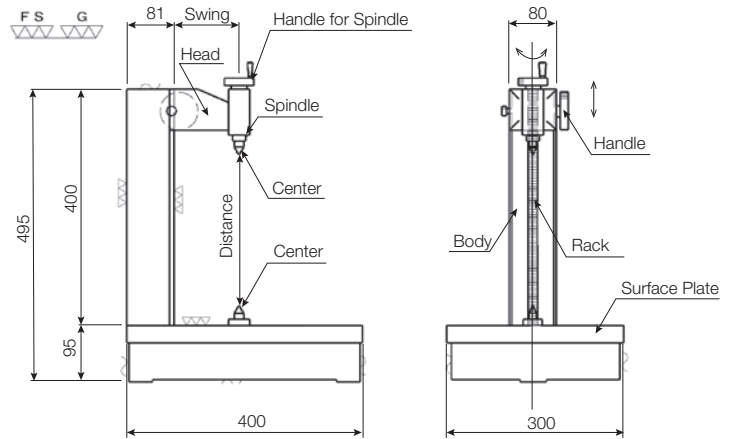
| Code # | Model | Bed Length | Bed Width | Center Distance | Height of Center | Swing | Paralellness | Apply Center | Net Weight (kg) |
|---------|-------|------------|-----------|-----------------|------------------|-------|--------------|--------------|-----------------|
| 562-SG1 | RV-1 | 750 | 115 | 400 | 150 | 110 | 5 μm | MT-2 | 60 |



Bench Center (VB Type)

Stock No.592

Traceability



- For measuring vertical deflection.
- Put cylindrical work on its supporting point and measuring end face.
- Surface plate is as accurate as JIS First class.

NOTE : Dial gauge and Test bar are not included.

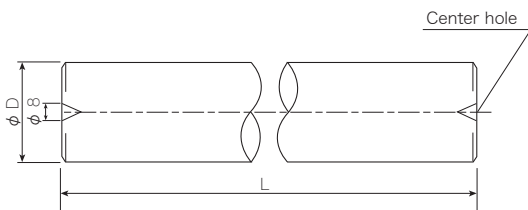
Unit = mm

| Code # | Model | Size | Center Distance | Swing | Squareness of center (μm) | Apply Center | Net Weight (kg) |
|---------|-------|-----------|-----------------|-------|---------------------------|--------------|-----------------|
| 592-VB1 | VB-1 | 400 × 300 | 265 | 110 | 5 | MT-1 | 55 |

Test Bar

Stock No.600

Traceability



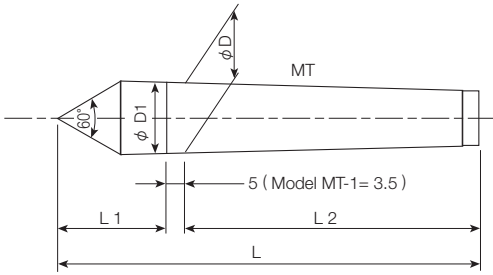
- Use it as a standard of deflection.
- This is for measuring deflection on bench center as a standard.
- All size is hardened.

Unit = mm

| Code # | Size ($\phi D \times L$ mm) | Cylindricity (μm) | Compatible models |
|---------|-------------------------------|-------------------|-------------------|
| 600-P1 | 20 × 150 | 2 | P-1 |
| 600-P2 | 20 × 200 | 2 | P-2 |
| 600-P3 | 25 × 300 | 3 | P-3 |
| 600-NO1 | 30 × 400 | 3 | No-1 |
| 600-NO2 | 50 × 800 | 3 | No-2 |

Center

Stock No.601



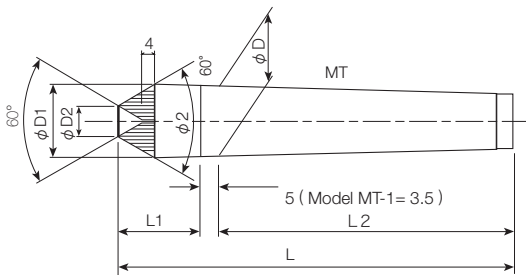
- This is applied to bench center.
- All size is hardened.
- Other sizes and carbide model are also available. Please ask.

Unit = mm

| Code # | Model | ϕ D | ϕ D1 | L | L1 | L2 | Compatible models |
|---------|-------|----------|-----------|-----|----|------|-------------------|
| 601-MT1 | MT-1 | 12.065 | 12.2 | 82 | 25 | 53.5 | P1 ~ P3 |
| 601-MT2 | MT-2 | 17.780 | 18.0 | 100 | 31 | 64.0 | No-1, No-2 |
| 601-MT3 | MT-3 | 23.825 | 24.1 | 125 | 39 | 81.0 | No-3 |

Reversed Form Center

Stock No.602

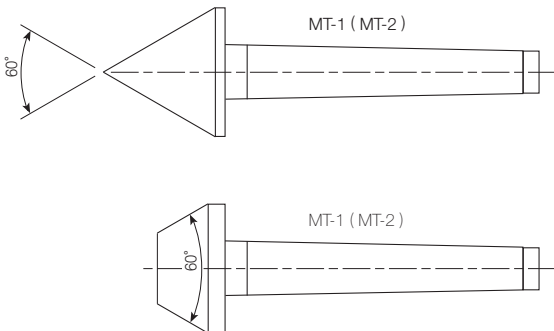


- For small diameters without center hole.
- Other sizes and carbide model are also available. Please ask.

Unit = mm

| Code # | Model | ϕ D | ϕ D1 | ϕ D2 | L | L1 | L2 |
|---------|-------|----------|-----------|-----------|-----|----|------|
| 602-MT1 | MT-1 | 12.065 | 12.2 | 7 | 77 | 20 | 53.5 |
| 602-MT2 | MT-2 | 17.780 | 18.0 | 8 | 94 | 25 | 64.0 |
| 602-MT3 | MT-3 | 23.825 | 24.1 | 10 | 119 | 33 | 81.0 |

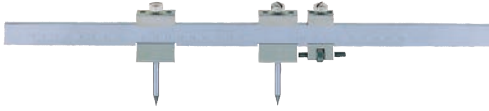
Custom-Made Center



- Custom made center can materialize your need precisely. Please ask us for further information.

Steel Beam Trammel Graduation

Stock No.581



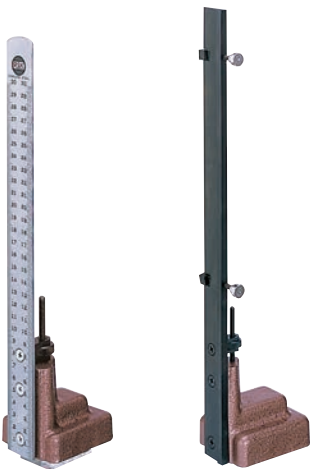
- This is for marking-off round shape, semicircle.
- The ruler has a scale marked in every 1mm.
- The point is hardened and dismountable.

Unit = mm

| Code # | Size | Width | Thickness | Size of Point |
|----------|-------|-------|-----------|----------------|
| 581-0300 | 300 | 19 | 6 | ϕ 6 × 39 |
| 581-0500 | 500 | 25 | 6 | ϕ 10 × 50 |
| 581-1000 | 1,000 | 32 | 6 | ϕ 10 × 50 |
| 581-1500 | 1,500 | 32 | 6 | ϕ 10 × 50 |
| 581-2000 | 2,000 | 44 | 9 | ϕ 12 × 68 |
| 581-3000 | 3,000 | 50 | 10 | ϕ 12 × 68 |

Scale Holder

Stock No.560



B-1

B-2

This is designed to be used as a height gauge.

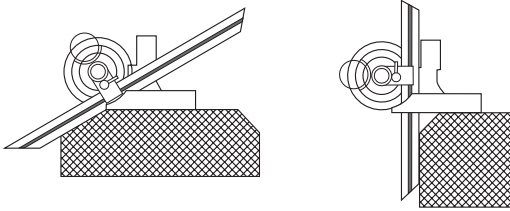
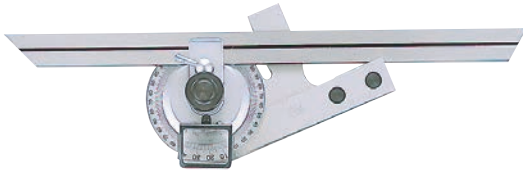
Unit = mm

| Code # | Size | Height | Base Size | Net Weight (kg) |
|--------|------|--------|------------------------|-----------------|
| | | | Height × Width × Depth | |
| 560-B1 | B-1 | 300 | 70 × 60 × 70 | 1.2 |
| 560-B2 | B-2 | 480 | 100 × 100 × 120 | 2.8 |
| 560-B3 | B-3 | 700 | 100 × 100 × 120 | 4.5 |

Universal Bevel Protractor

Stock No.495

- 495-DQ Traceability
- 495-DA Traceability

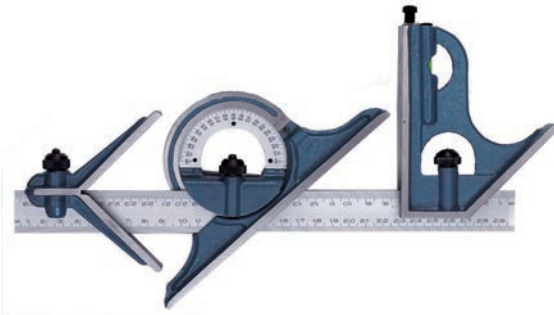


- Minimum scale of vernier is 5' (=1/12°)
- To read scale easily, a magnifying glass is attached.
- Two sizes of blades are attached. 150mm and 300mm.

| Code # | Model | Squareness of Blade (μm) | Parallellness of Blade (μm) | Net Weight (kg) |
|--------|--------------------|--------------------------|-----------------------------|-----------------|
| 495-DQ | 495-D (Hardened) | 10 | 10 | 0.62 |
| 495-DA | 495-D (ClassA) | 10 | 10 | |
| 495-DB | 495-D (ClassB) | 30 | 30 | |

Combination Set

Stock No.589



- This enables marking-off, measuring angle, and square at once.
- The ruler has a scale marked in every 0.5mm and 1mm.

| Code # | Size (mm) | Net Weight (kg) |
|---------|-----------|-----------------|
| 589-300 | 300 | 1.0 |

Micrometer Stand

Stock No.565

- Type-S and Type-Y can fasten in 0~25mm.
- Type-R can fasten in 200mm.



565-R



565-Y



565-S

| Code # | Model | Net Weight (kg) |
|--------|-------|-----------------|
| 565-R | R | 0.9 |

| Code # | Model | Net Weight (kg) |
|--------|-------|-----------------|
| 565-Y | Y | 0.8 |

| Code # | Model | Net Weight (kg) |
|--------|-------|-----------------|
| 565-S | S | 0.6 |

JIS factory No.JQ 0308011



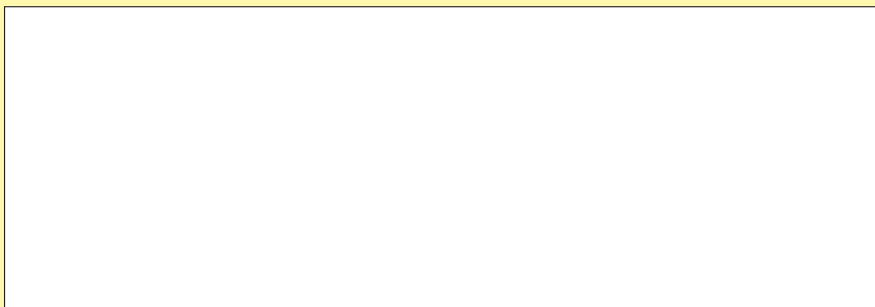
NIIGATA RIKEN SOKUHAN CO.,LTD.

700-41 Nakayama, Kawaguchi, Nagaoka city Niigata prefecture, 949-7503, Japan.

TEL : +81-258-89-4141

FAX : +81-258-89-4300

E-mail : n.rsk@topaz.ocn.ne.jp



This catalog is issued April 2014.

Due to circumstances, specifications or/and exterior might be changed.

Production might be stopped without any notice.